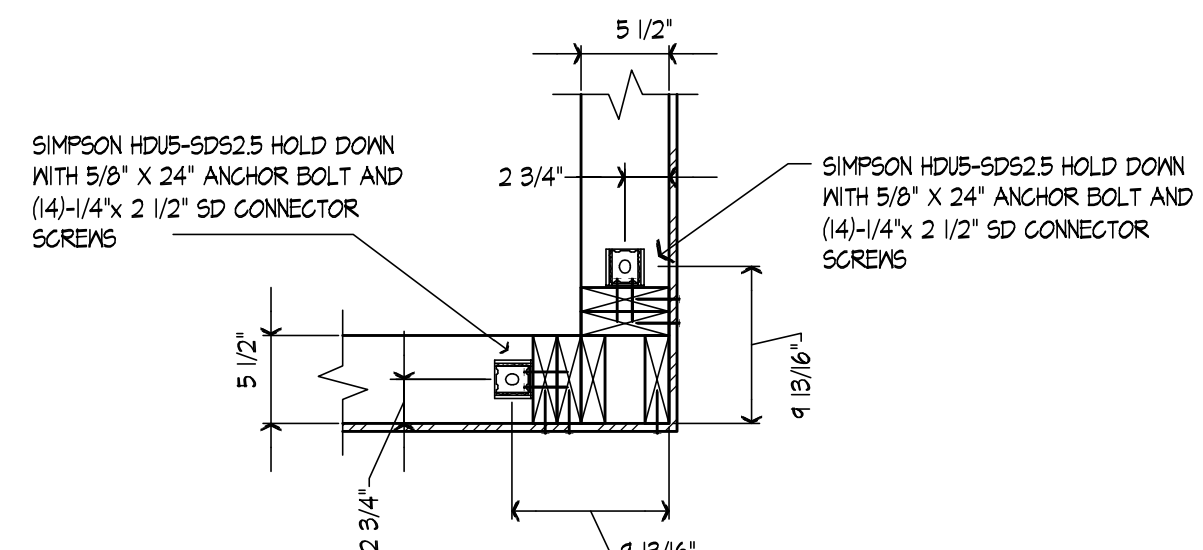
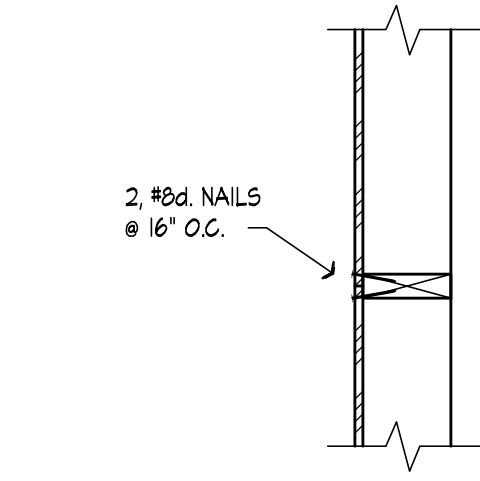


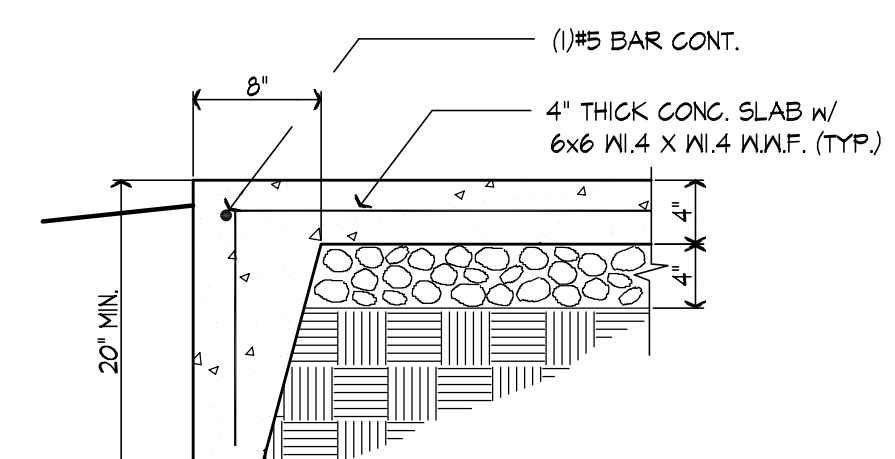
FLOOR PLAN
SCALE: 1/4"=1'-0" 3700 Sq.Ft.



TWO HOLD DOWNS @ EXTERIOR CORNERS, TEN LOCATIONS
SCALE: 1"=1'-0"



TYP. EXT. WD. SHEATHING NAILING
SCALE: 1"=1'-0"



PORCH SLAB DETAIL
SCALE: 1"=1'-0"

WALL TYPES

- ALL NON BEARING INTERIOR WALL SHALL BE PROSTUD 1/4 MIL. 65KI METAL STUDS 1-1/4" FLANGE 1/4" RETURN @ 16" O.C. FULL HEIGHT TO MATCH EXTERIOR WOOD STUD WALLS W/ 5/8" F.C. GYP. BOARD CONTINUOUS TO BOTTOM OF TRUSSES. SEE FLOOR PLAN FOR SPECIFIC SIZE.
- ALL EXTERIOR WALLS SHALL BE 2x6x10' #2 MIN. WOOD STUDS, 16" O.C. WITH WOOD BLOCKING AT PLYWD. JOINT
- INTERIOR LOAD BEARING WALLS SHALL BE #2 2x6 WOOD STUDS @ 16" O.C. FULL HEIGHT TO MATCH EXTERIOR WOOD STUD WALLS W/ WD. BLOCKING @ MIDSPAN AND 5/8" F.C. GYP. BOARD EACH SIDE CONTINUOUS TO BOTTOM OF TRUSSES.
- INTERIOR LOAD BEARING WALLS SHALL BE #2 2x6 WOOD STUDS @ 12" O.C. FULL HEIGHT TO MATCH EXTERIOR WOOD STUD WALLS W/ WD. BLOCKING @ MIDSPAN AND 5/8" F.C. GYP. BOARD EACH SIDE CONTINUOUS TO BOTTOM OF TRUSSES.

*3 1/2" SOUND BATTS, CONTINUOUS TO TOP OF WALLS, TYPICAL ALL WALLS SURROUNDING RESTROOMS, MAYOR OFFICE AND CONFERENCE ROOM.

■ FE = FIRE EXTINGUISHER

CITY OF STANTON
CITY HALL & POLICE STATION
STANTON, KENTUCKY

DATE	REVISION	BY	SCALE
2-11-16	R-1 MOVED DOOR #07	BLL	AS NOTED

PROJECT NO. 4065-04
DESIGNED BY BLL/MSF
DRAWN BY BLL
CHECKED BY
REVIEWED BY
DATE JUNE 2015
SCALE AS NOTED

MSE
OF KENTUCKY, INC.
Engineers
Architects
Planners
624 Wellington Way
Lexington, KY 40503
Phone: (859)223-5684
Fax: (859)223-2607
www.mselex.com

DRAWING NO.
A-1
SHEET OF